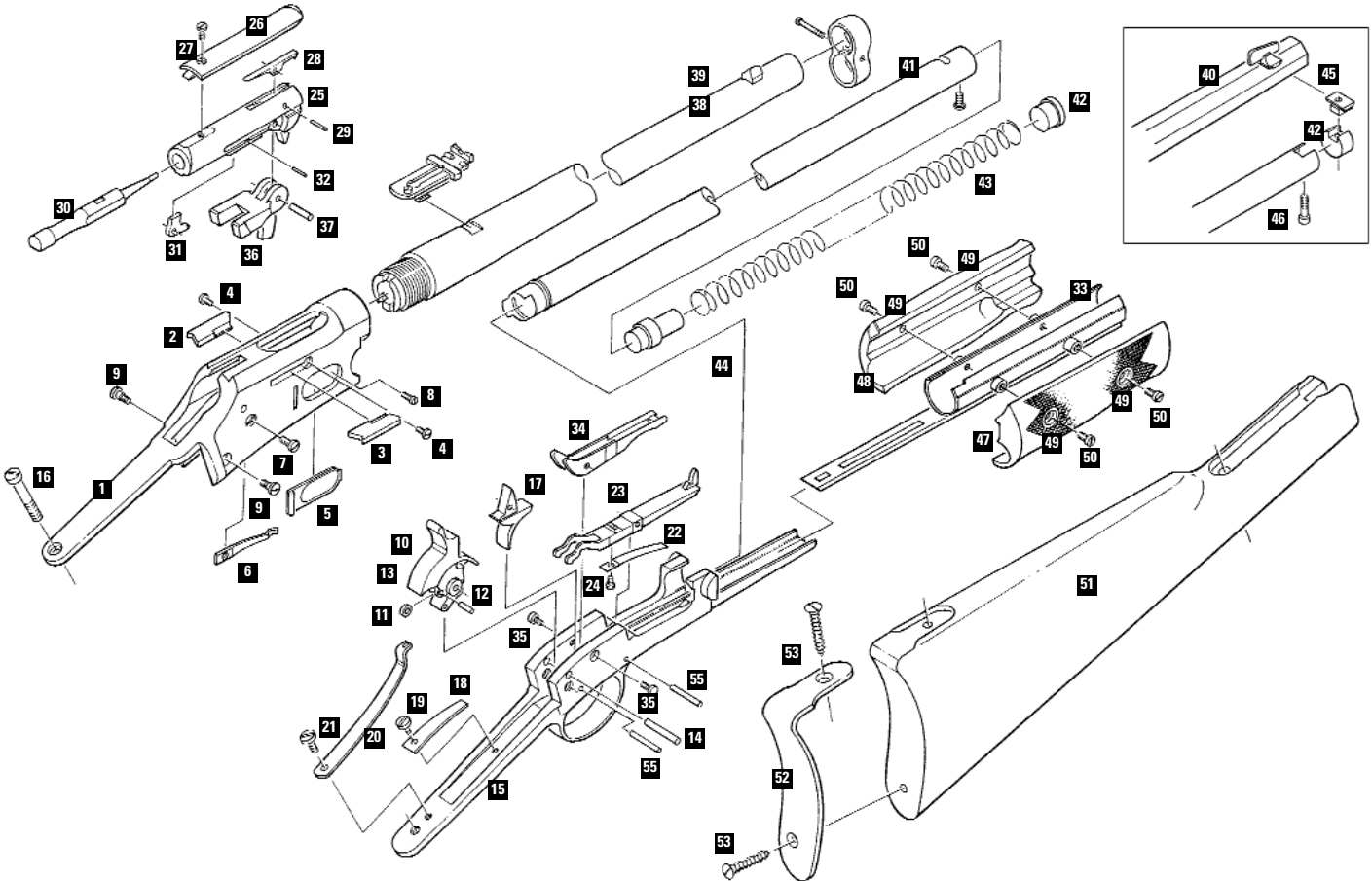


1. Receiver (FFL only)
2. Left ejector
3. Right ejector
4. Ejector screw (2)
5. Loading trap
6. Loading trap spring
7. Loading trap spring screw
8. Loading trap stop screw
9. Side plate screw (2)
10. Hammer
11. Hammer roller
12. Hammer roller pin
13. Hammer safety pin
14. Hammer pin

15. Tang
16. Tang screw
17. Trigger
18. Trigger spring
19. Trigger spring screw
20. Main spring
21. Main spring screw
22. Magazine stop spring
23. Magazine stop
24. Magazine stop springscrew
25. Bolt
26. Top cover
27. Top cover screw
28. Extractor

29. Extractor pin
30. Firing pin
31. Firing pin lever
32. Firing pin lever pin
33. Slide
34. Carrier
35. Carrier screw
36. Locking brace
37. Locking brace pin
38. Barrel (round)
39. Barrel (half round)
40. Barrel (octagon)
41. Standard magazine tube
42. Standard magazine tube plug

43. Magazine spring
44. Follower
45. Magazine lug
46. Rifle tube screw
47. Forend stock wood R
48. Forend stock wood L
49. Grip escheution (4)
50. Grip screw (4)
51. Butt stock
52. Butt plate, Crescent or Carbine
53. Butt plate screw (2)
55. Trigger and stop pin

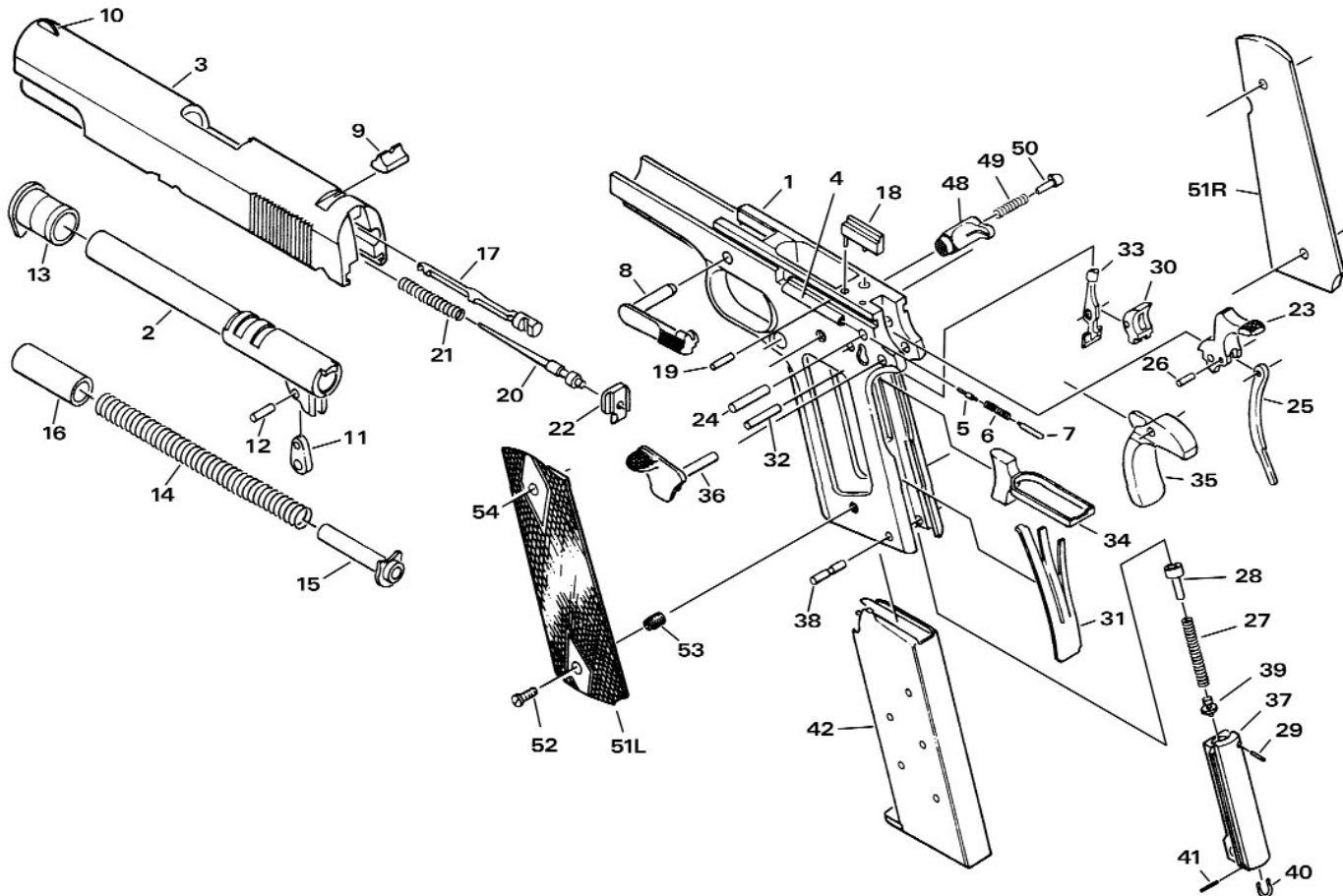


1. Receiver
2. Barrel
3. Slide
4. Plunger Tube
5. Slide Stop Plunger
6. Plunger Spring
7. Safety Lock Plunger
8. Slide Stop
9. Rear Sight
10. Front Sight
11. Barrel Link
12. Barrel Link Pin
13. Barrel Bushing

14. Recoil Spring
15. Recoil Spring Guide
16. Recoil Spring Plug
17. Extractor
18. Ejector
19. Ejector Pin
20. Firing Pin
21. Firing Pin Spring
22. Firing Pin Stop
23. Hammer
24. Hammer Pin
25. Hammer Strut
26. Hammer Strut Pin

27. Main Spring
28. Main Spring Cap
29. Main Spring Cap Pin
30. Sear
31. Sear Spring Assembly
32. Sear Pin
33. Disconnecter
34. Trigger Assembly
35. Grip Safety
36. Safety Lock
37. Main Spring Housing
38. Main Spring Housing Pin
39. Main Spring Pin Retainer

40. Lanyard Loop
41. Lanyard Loop Pin
42. Magazine
48. Magazine Catch
49. Magazine Catch Spring
50. Magazine Catch Lock
- 51L. Left Grip
- 51R. Right Grip
52. Grip Screw
53. Frame Bushing
54. Grip Screw Escushion



1. Barrel
2. Ejector Rod Housing
3. Ejector Rod & Spring
4. Cylinder Bushing
5. Cylinder
6. Base Pin
7. Frame
8. Gate
9. Bolt
10. Bolt & Trigger Spring
11. Firing Pin & Pin
12. Hammer
13. Trigger Guard
14. Main Spring
15. Trigger
16. Hand & Hand Spring
17. Roller & Pin
18. Grips
19. Backstrap

- A. Ejector housing Screw
- B. Black Powder Screw
- C. Cross Pin Screw Nut & Spring
- D. Recoil Plate
- E. Bolt Screw
- F. Trigger Screw
- G. Hammer Screw
- H. Trigger Guard Screw (2)
- I. Bolt & Trigger Spring Screw
- J. Gate Plunger
- K. Gate Spring
- L. Gate Screw
- M. Backstrap Screw (4)
- N. Main Spring Screw
- O. Grip Screw

